

Installation manual v1

# SoundSystem One



play<sup>®</sup>  
alive

## **1. Content**

## **2. Component overview**

- 2.1 Electronics
- 2.2 Steel components
- 2.3 Other

## **3. Inside components & sign mounting**

- 3.1 Sound console components

## **4. Sound console**

- 4.1 Installation

## **5. Power supply**

- 5.1 230V power supply for sound console

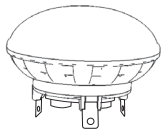
## **6. Start up**

- 6.1 Start up the sound console
- 6.2 Connect the sound console to a mobile device
- 6.3 Adjust volume

## 2

## Component overview

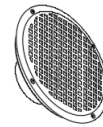
### 2.1 Electronics



**1 x Splitter Sensor**  
P00250



**1 x Power Cable**  
10 m (standard)



**1 x Speaker**  
90 W  
(preinstalled in console)



**1 x SoundSystem control box**  
IPSU  
(preinstalled in console)  
P00251



**1 x Termination Plug**  
(preinstalled in console)  
P00252

### 2.2 Steel components

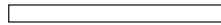


**1 x Sound console**  
(stainless steel)

### 2.3 Other



**1 x Sign**  
for console  
(either sourced locally or  
ordered by PlayAlive)



**3 x Dual adhesive tape  
or male/female velcro**  
(for Sign)



**Installation manual**  
(this copy)



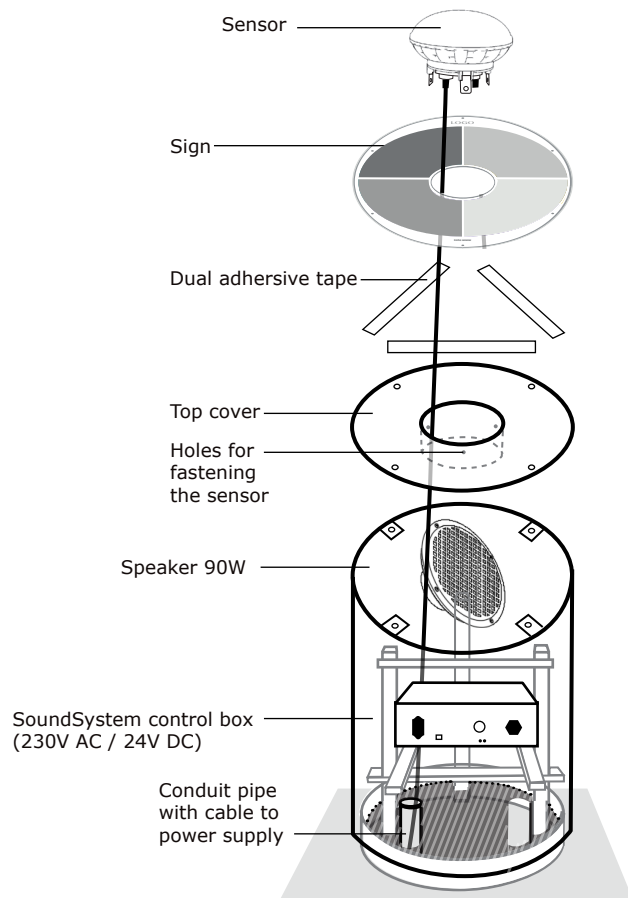
**1 x Bit TX 25 x 25 MB**



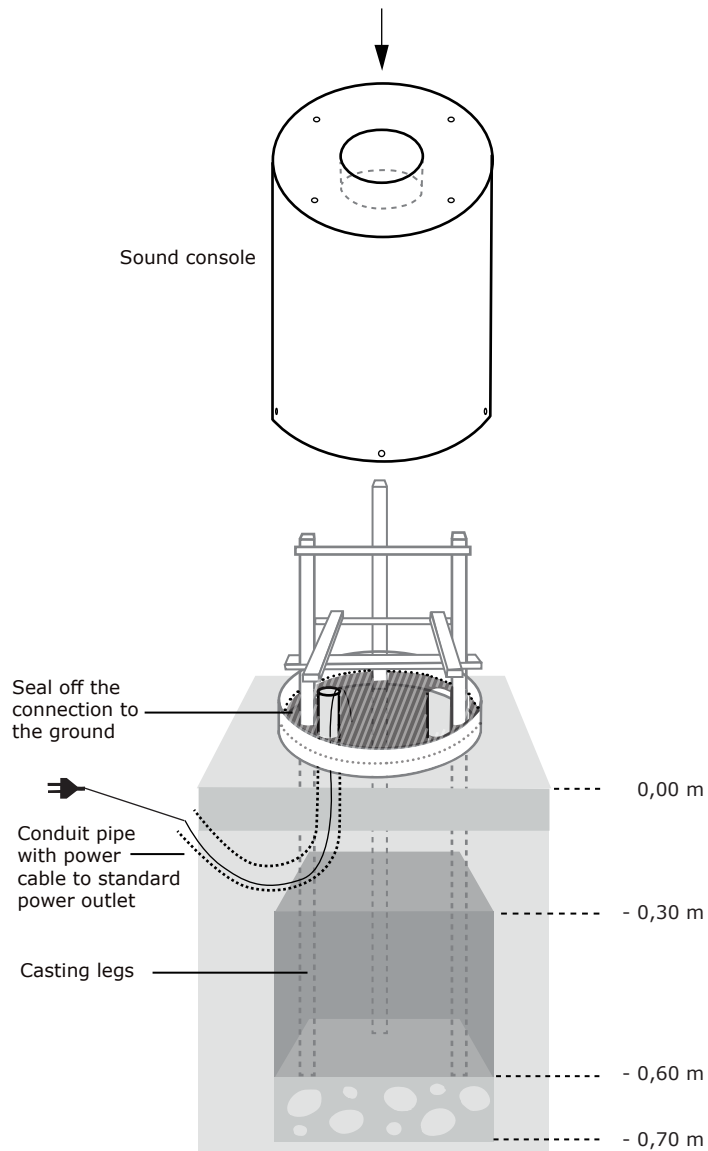
**4 x M5 Countersunk**  
16 mm A2

## 3 Inside components & sign mounting

### 3.1 Overview of individual console components



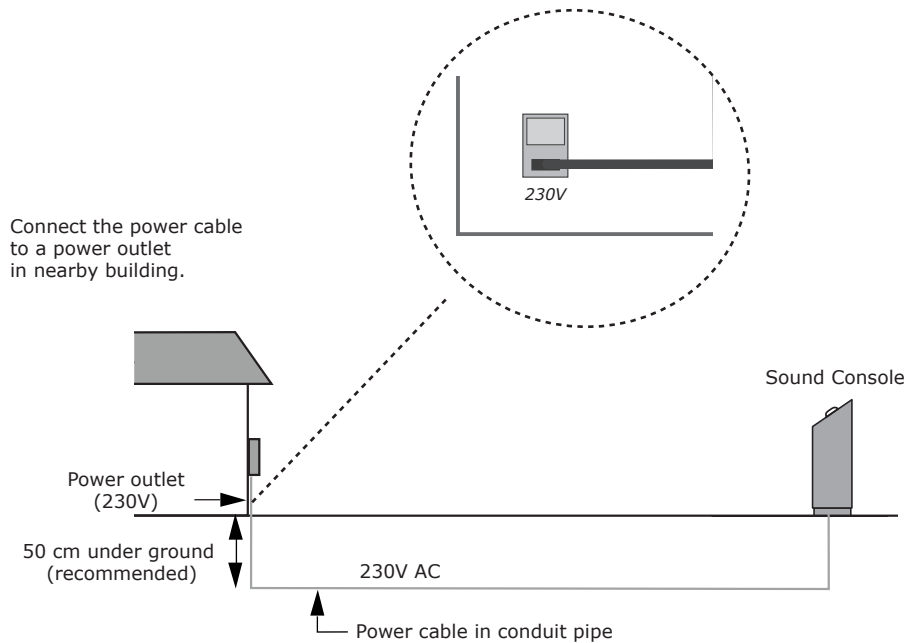
### 4.1 Installing the sound console



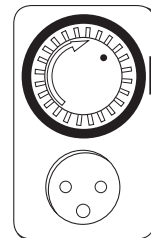
1. Separate the console from its casting legs by removing the 4 screws at the bottom of the console. (The top cover is reinstalled after casting and cable pulling.)
2. Use pull wire in the conduit pipe to draw power cable.
3. In order to avoid moisture from the ground, please seal off the consoles connection to the ground.
4. Reinstall the top cover of the console, and fasten it at the bottom with the 4 screws.

## 5.1 230V power supply for sound console

The system runs on 230V AC. A 24V DC power supply is installed in the SoundSystem control box.



**Optional:** A timer controlling the electricity (power on/off) can be added to the cabinet. Please see illustration of standard timer that can be installed in a 110V/230V power outlet. The timer need to be sourced locally. When applying a timer the power can be switched off for example at night time.



The optional timer could look like this.

## 6.1 Start up the sound console

Once the installation has been completed and the power has been switched on, the sensor unit will light up in blue. When the sensor is touched a voice command will follow: *"Connect to the PlayAlive SoundSystem by Bluetooth"*.

## 6.2 Connect the sound console to a mobile device

Connect the sound console to a mobile device by opening Bluetooth settings on the mobile device and find "PlayAlive Sound System". The sound console have a default acces code "0000". When the sound console are connected to a mobile device a voice command will follow: *"Connection complete - enjoy 15 minutes of music"*. The user are now connected to the sound console and can listen to music.

After 1 minute of inactivity the user will be disconnected from the system and can reconnect again by following the above mentioned guide.

## 6.3 Adjusting volume

Volume can be adjusted by simply holding on the sensor unit and wait until all of the red lights are switched on. One tap on the sensor unit adds a higher sound level.

When the desired sound level has been found the user hold on to the sensor unit again until all lights on the sensor have turned on. The system has to be switched off again if one wants to readjust the sensor sound level.

### **Important!**

The volume can only be adjusted the first 30 seconds after power have been switch off.